

# Debugging with CMSIS-DAP

How to use CMSIS-DAP (USB to JTAG) with Spansion templates

# Warranty and Disclaimer

The use of the deliverables (e.g. software, application examples, target boards, evaluation boards, starter kits, schematics, engineering samples of IC's etc.) is subject to the conditions of Spansion as set out in (i) the terms of the License Agreement and/or the Sale and Purchase Agreement under which agreements the Product has been delivered, (ii) the technical descriptions and (iii) all accompanying written materials.

Please note that the deliverables are intended for and must only be used for reference in an evaluation laboratory environment. The software deliverables are provided on an as-is basis without charge and are subject to alterations. It is the user's obligation to fully test the software in its environment and to ensure proper functionality, qualification and compliance with component specifications.

Regarding hardware deliverables, Spansion warrants that they will be free from defects in material and workmanship under use and service as specified in the accompanying written materials for a duration of 1 year from the date of receipt by the customer. Should a hardware deliverable turn out to be defect, Spansion's entire liability and the customer's exclusive remedy shall be, at Spansion's sole discretion, either return of the purchase price and the license fee, or replacement of the hardware deliverable or parts thereof, if the deliverable is returned to Spansion in original packing and without further defects resulting from the customer's use or the transport. However, this warranty is excluded if the defect has resulted from an accident not attributable to Spansion, or abuse or misapplication attributable to the customer or any other third party not relating to Spansion or to unauthorised decompiling and/or reverse engineering and/or disassembling.

Spansion does not warrant that the deliverables do not infringe any third party intellectual property right (IPR). In the event that the deliverables infringe a third party IPR it is the sole responsibility of the customer to obtain necessary licenses to continue the usage of the deliverable.

In the event the software deliverables include the use of open source components, the provisions of the governing open source license agreement shall apply with respect to such software deliverables.

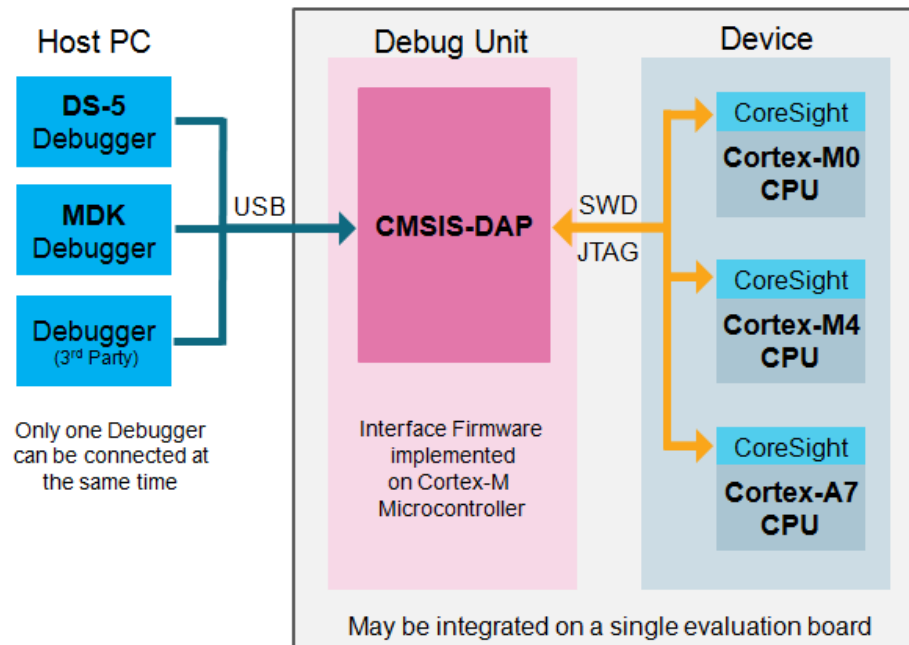
To the maximum extent permitted by applicable law Spansion disclaims all other warranties, whether express or implied, in particular, but not limited to, warranties of merchantability and fitness for a particular purpose for which the deliverables are not designated. To the maximum extent permitted by applicable law, Spansion's liability is restricted to intention and gross negligence. Spansion is not liable for consequential damages.

Should one of the above stipulations be or become invalid and/or unenforceable, the remaining stipulations shall stay in full effect. The contents of this document are subject to change without a prior notice, thus contact Spansion about the latest one.

**This board and its deliverables must only be used for test applications in an evaluation laboratory environment.**

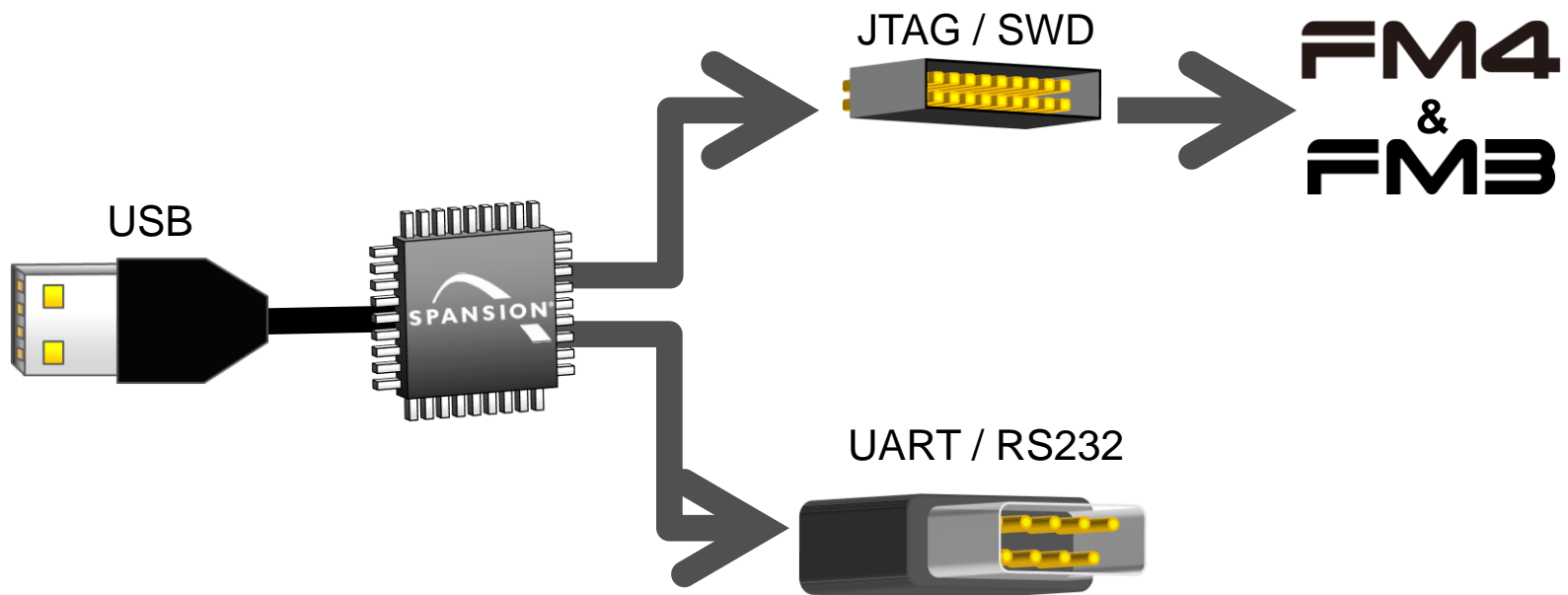
## Definition (ARM-Webpage)

- CMSIS-DAP is the interface firmware for a Debug Unit that connects the Debug Port to USB. Debuggers, which execute on a host computer, connect via USB to the Debug Unit and to the Device that runs the application software. The Debug Unit connects via JTAG or SWD to the target Device. ARM Cortex processors provide the [CoreSight Debug and Trace Unit](#). CMSIS-DAP supports target devices that contain one or more Cortex processors.



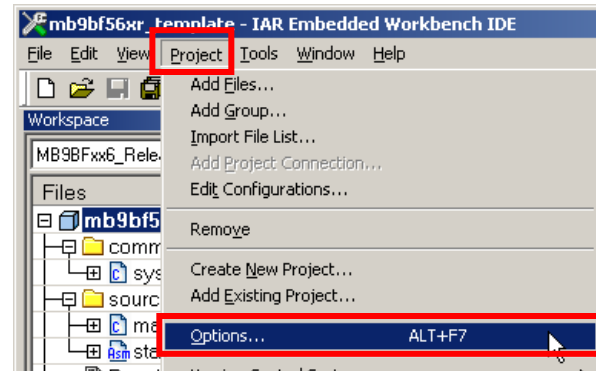
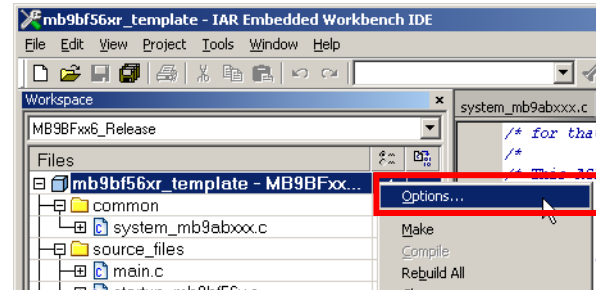
## Additional Features

- Spansion CMSIS-DAP implementation offers
  - 1 channel JTAG or SWD (Single Wire Debug)
  - Additional 1 channel UART / RS232



## Setup in IAR EWARM (1)

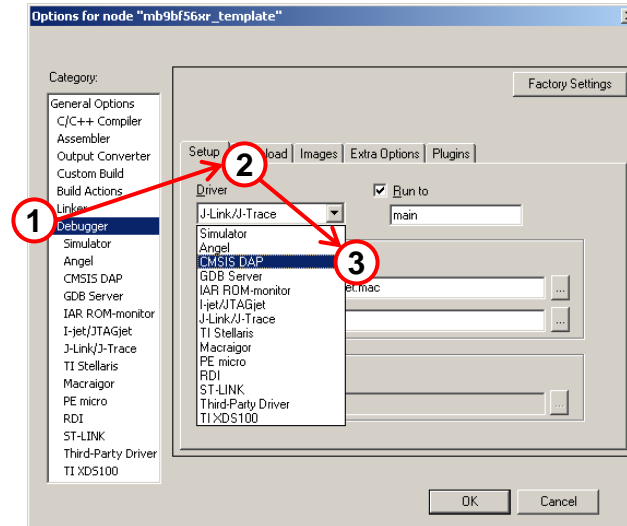
- Navigate to project options:
  - Via Files-List
    - ◆ Right-click at the project
    - ◆ Select „Options...“
  - Or via menu „Project“
    - ◆ Select „Options...“



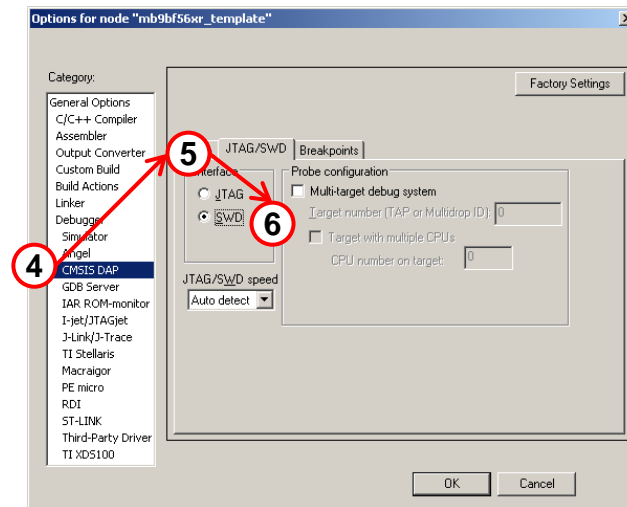
## Setup in IAR EWARM (2)

### ■ Setup Project Debbuger Options

- (1) Navigate to Debugger
- (2) Select tab „Setup“
- (3) Select Driver „CMSIS-DAP“

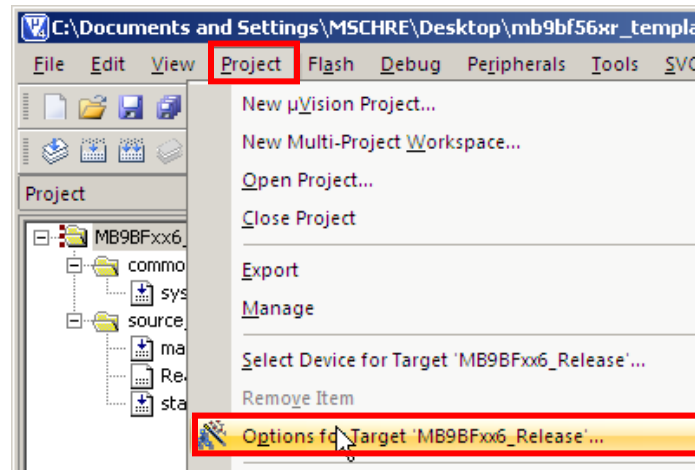
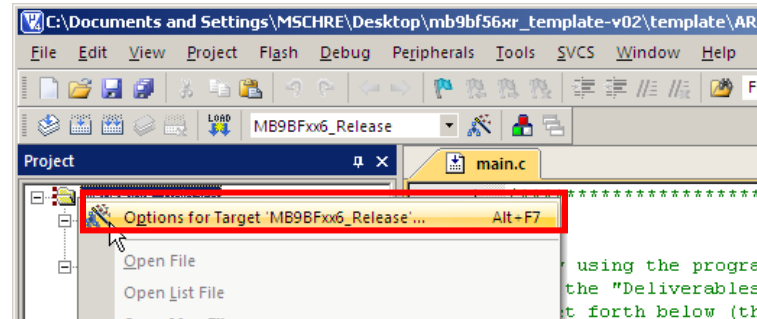


- (4) Select in „CMSIS-DAP“
- (5) Select tab „JTAG/SWD“
- (6) Select SWD



## Setup in Keil $\mu$ Vision (1)

- Navigate to project options:
  - Via Project
    - ◆ Right-click at the project
    - ◆ Select „Options...“
  - Or via menu „Project“
    - ◆ Select „Options...“

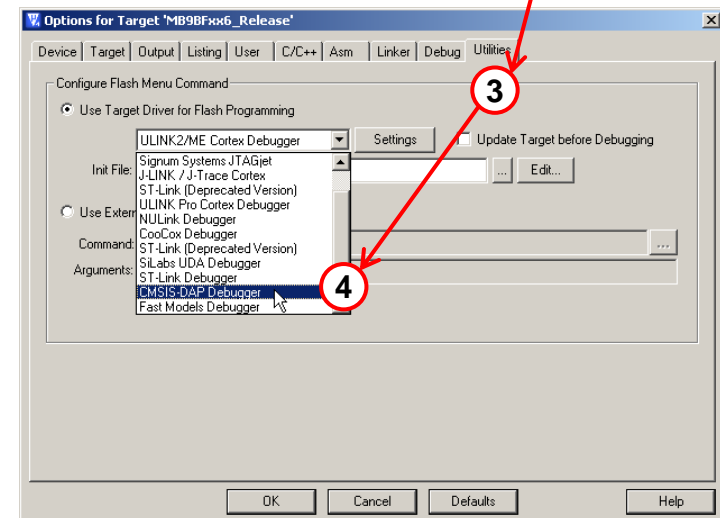
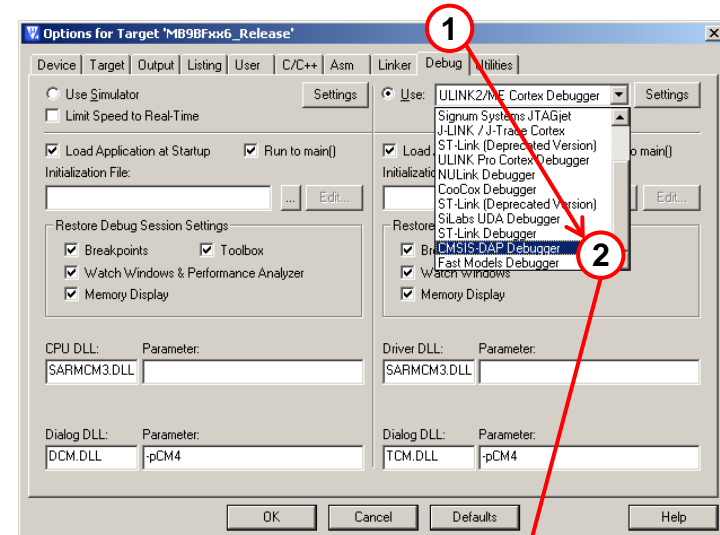


## Setup in Keil $\mu$ Vision (2)

### ■ Setup Debug & Utilities

- (1) Select tab „Debug“
- (2) Select „CMSIS-DAP Debugger“

- (3) Select tab „Utilities“
- (4) Select „CMSIS-DAP Debugger“







[www.spansion.com](http://www.spansion.com)

SpanSION®, the SpanSION logo, MirrorBit®, MirrorBit® Eclipse™ and combinations thereof are trademarks and registered trademarks of Spansion LLC in the United States and other countries. Other names used are for informational purposes only and may be trademarks of their respective owners.

This document is for informational purposes only and subject to change without notice. Spansion does not represent that it is complete, accurate or up-to-date; it is provided "AS IS." To the maximum extent permitted by law, Spansion disclaims any liability for loss or damages arising from use of or reliance on this document.